

SUPPORT



Package content:

- 04 S-10 plastic bushings;
- 04 superb hexagonal screws 5/16 x 50 mm;
- 02 hexagonal screws M6 x 16 mm;
- 02 hexagonal screws M6 x 45 mm;
- 02 M6 locking nuts;
- 06 6 mm flat washers.

Installation with fixing support

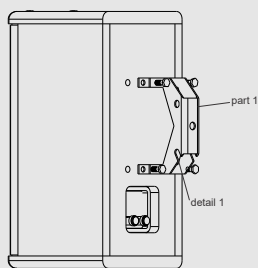
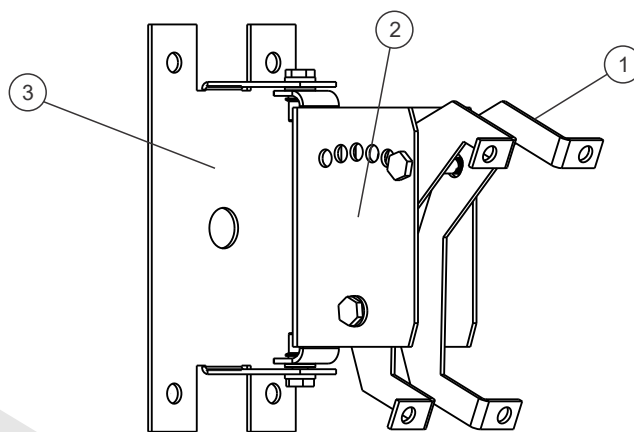


Image 1;

1st STEP

Screw part 1 into the passive box with **detail 1** positioned downwards, as shown in image 1.

Use the screws that are attached to the back of the box.

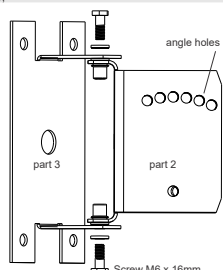


Image 2;

2nd STEP

Screw part 2 together with part 3, so that the **angle holes** are upwards, as shown in image 2.

Use 2 washers and 2 M6 x 16mm screws

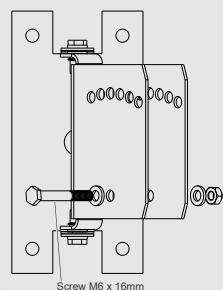


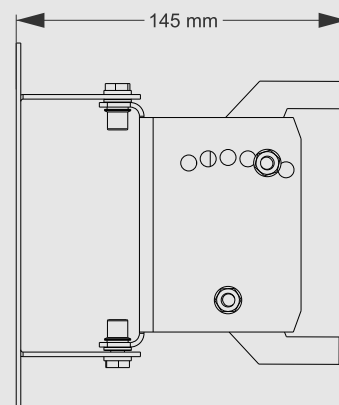
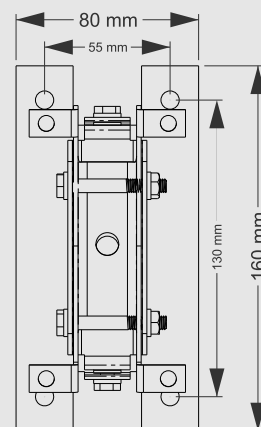
Image 3;

3rd STEP

Screw the support to the wall, using 4 hexagonal screws 5/16 x 50 mm + 4 plastic anchors. Insert the screw in part 2 as shown in image 3, this screw will be used to receive the passive box.

Use 2 washers, 1 M6 x 45mm screw and 1 M6 nut.

Dimensions



33 lb
Supports up to 15 kg

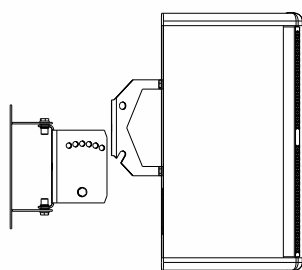


Image 4;

4th STEP

Position your passive box next to the support already on the wall and adjust the desired inclination. Each support position is equivalent to 8 degrees of inclination

Use 2 washers, 1 M6 x 45mm screw and 1 M6 nut.

Maximum inclines

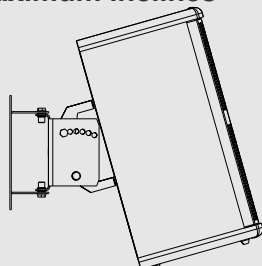
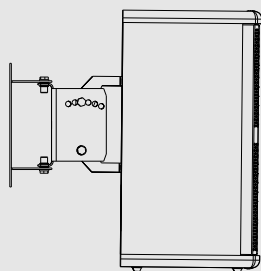
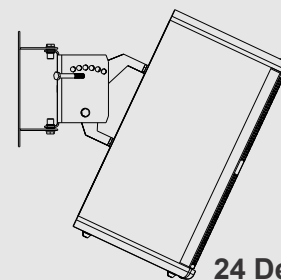


Image 5;

-16 Degrees



0 Degree



24 Degrees

NOTE: Features, specifications and aesthetic aspects are subject to change without prior notice.