

# CEILING SPEAKER 6"

## Borderless



### With 40 Watts RMS 6" speaker

The Taramps 6" ceiling speaker was developed for residential and commercial environments and offers a more modern design with a fine finish. It is made of polypropylene material, with UV protection, to guarantee product quality for longer.

A practical and elegant solution to those who want high-quality sound at any environment without compromising space and aesthetics.



### Suggestion for residential space



Gourmet space - Leisure area  
Kitchens - Rooms in general and  
other spaces...

### Suggestion for commercial space



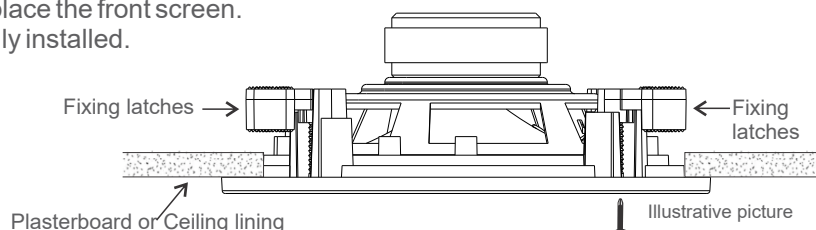
Bakeries - Supermarkets  
Stores - Bars  
Restaurants - Clinics  
and other spaces...

### Installation

The Taramps ceiling speaker was designed to be easy to install with no complications.

Follow the instructions below to obtain satisfactory results:

- 1- With the product out of the packaging, take the cardboard cutout template to make the correct marking on the plasterboard or where you will embed it.
- 2- Remove the front screen, using a thin, sharp object. Be careful not to damage the plastic parts (Use a utility knife or screwdriver carefully).
- 3- Connect the wires to the Borne terminal (Red = positive and Black = negative).
- 4- Check that the 4 fixing latches are positioned inwards. If not, position them.
- 5- Fit the ceiling speaker into the location to be fixed and, using a screwdriver or Philips screwdriver, tighten the screws proportionally and slowly until you notice that the ceiling speaker is firm. When tightening, the latches will rotate automatically to lock position.
- 6- Once this is done, check if it is fitted correctly and place the front screen.
- 7- That's it, your ceiling speaker has been successfully installed.



**CAUTION** When using an electrical screwdriver, make sure the torque is not high. Excessive torque could cause complications for your installation and the product.



# CEILING SPEAKER 6" Borderless



With 40 Watts RMS 6" speaker

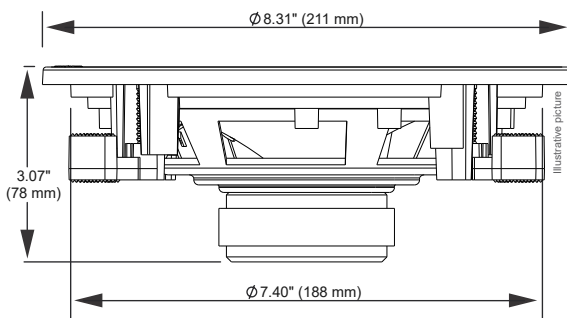
### Technical characteristics

RMS POWER	40 WATTS
PROGRAM POWER	80 WATTS
NOMINAL IMPEDANCE	4 Ohms or 8 Ohms
FREQUENCY RESPONSE	40Hz to 18.000Hz
RESONANCE FREQUENCY	56,911 Hz
WEIGHT	1.65lb (0,75Kg)

Access the product on our website:



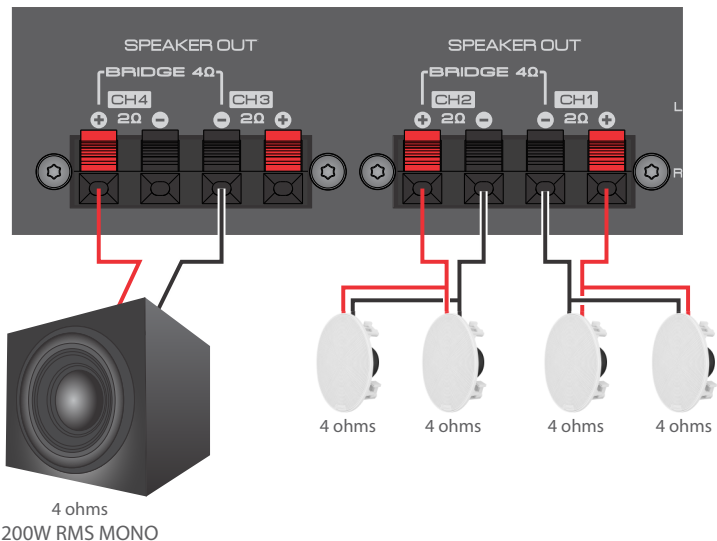
### Product dimensions



For installation, use the cardboard cutout template that comes with the product. Minimum ceiling cutout size Ø7.874" (Ø200mm).

### Installation suggestion

1x Taramps THS 6000 + 4x Taramps 4 Ohm Ceiling Speakers + 1x 200 Watts RMS Passive Subwoofer



NOTE: Characteristics, specifications, and aesthetic aspects are subject to change without prior notice.