



T 900 MB



Carefully designed and produced to provide high definition and sound pressure from the mid-bass to the mid-high, in addition to the most varied types of applications in sound systems, it has an outstanding result in the "horned" speaker boxes, making your sound system more intelligible and clear in its operating range. Its construction has an excellent harmony between all the components involved in this project, so that the desired result goes beyond expectations, amplifying your listening experience with high quality sound.

ELECTRICAL PARAMETERS

RMS POWER	450 W
MUSICAL PROGRAM POWER	900 W
NOMINAL IMPEDANCE	6 Ohms
RESISTANCE (RE)	4,5 ohms/VCC
NO (EFFICIENCY REFERENCE)	3,015%
SENSITIVITY (@ 1W, 1 m)-Free-Air	96,811 dB
DIAPHRAGM MASS (MMD)	33,648 g
TOTAL MASS (MMS)	37,516 g
BL PRODUCT	16.482 TM
MECHANICAL Q (Qms)	10,406
ELECTRIC Q (Qes)	0,301
TOTAL Q (Qts)	0,293
COMPLIANCE (CMS)	113,514u M/N
EQUIVALENT VOLUME (VAS)	20,466 L
FREQUENCY RESPONSE	80Hz à 5.500Hz
RESONANCE FREQUENCY	77,124 Hz
Le @ 1 kHz (coil inductance at 1kHz)	0,631 mH
EFFECTIVE CONE AREA (SD)	0,0356 Sq.m
CONE EXCURSION WITHOUT DISTORTION (X MAX)	+ - 5,75 mm
FLOW DENSITY IN THE GAP	15.500 GAUSS

MECHANICAL PARAMETERS

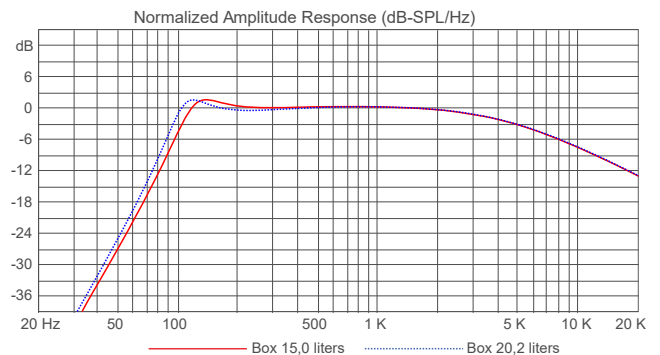
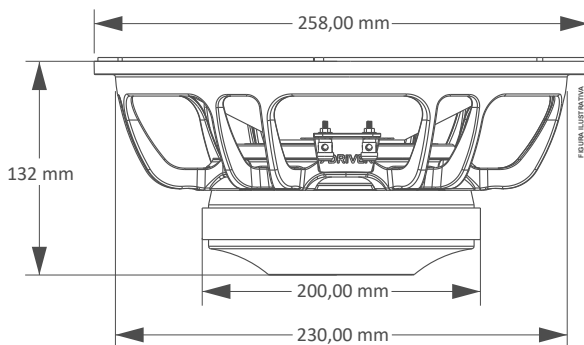
NOMINAL DIAMETER	10 Inches
FERRITE MEASURES	200 X 86 X 24mm
COIL DIAMETER	3 Inches
COIL HEIGHT	15 mm
COIL WIRE MATERIAL	CCAW
COIL WIRE SECTION	Round
COIL SHAPE	Fiber
GAP HEIGHT	7 mm
HOUSING MATERIAL	Aluminum
FERRITE MATERIAL	Barium
WEIGHT	9,86 Kg
VOLUME OCCUPIED ON THE CABINET	2,71 Liters

CABINET SUGGESTIONS

MODELO	VOLUME	DUCTS	DUCTS	DUCTS	SYNTONY	(H.P.F)	ATTENUATION (ATIVA)
	LITERS	QUANT.	DIAM.	PROF.			
VENTED BOX	15	02	4"(POL)	165 mm	115,0 Hz	80 Hz	-24 dB/ Octave
	20,2	02	4"(POL)	125 mm	105,5 Hz	80 Hz	-24 dB/ Octave

Thiele-Small parameters are obtained after applying a sinusoidal level 50 hz for a period of 30 minutes. A tolerance of + - 15% on the specified values is allowed.

PRODUCT DIMENSIONS



WARRANTY TERM

When all our products are produced, they undergo rigorous evaluations, in each construction process until they are packaged, however, if any type of abnormality is detected, when opening the package, it must be sent to one of our authorized service stations, or directly to the factory, if there is not an authorized technician in your region. **Each and every product must undergo a technical evaluation so that the defect is identified and proven.**

The product has a warranty of 15 (fifteen) months after the issuance of the invoice, with the legal warranty of 90 days, provided for in article 26, item II, of law No. 8078/90 (Brazilian consumer protection code).

Warranty Conditions:

The product must be installed correctly, by a specialized professional, as well as respecting the product characteristics.

The customer **will NOT** have the warranty when:

- Exceed the period of 15 (fifteen) months.
- Damages incurred are caused by; transport or handling accident, or humidity.
- Defects caused by improper installation.
- Malfunctions in product parts (torn cone/dust cap, bent or broken speaker housing).
- Coils burned out by excessive power or extreme distortion conditions, causing heating above 240°.

Warranty Coverage:

- Taramps guarantees its products against any defect in material or manufacturing process, provided that, at the discretion of its authorized technicians, it is found to be defective under normal conditions of use.
- **The PRODUCT must contain the original label, on which its serial number is inserted.**
- To use the warranty, the customer must present the invoice and the warranty term, both of which must contain the serial number on the product label.

Transport

Only products that fall under the terms of warranty coverage will have their transportation expenses covered, otherwise, the expense will be at the customer's expense.

WARRANTY CERTIFICATE

NAME: _____

ADDRESS: _____

CITY: _____ ZIP: _____

STATE: _____ PHONE: _____

DEALER: _____

ADDRESS: _____

CITY: _____ ZIP: _____

STATE: _____ PHONE: _____

INVOICE NUMBER