

THUNDER 5K7



A loudspeaker developed for you to enjoy the bass and medium bass with intensity, the THUNDER 5K7 will surprise you with the different finish and the desired sound pressure, created preferably for use in automotive electrical trios.

ELECTRIC PARAMETERS

RMS POWER	2,850 W
MUSIC POWER	5,700 W
NOMINAL IMPEDANCE	2 or 4 Ohms
RESISTANCE	1,5 / 2,2 ohms/VCC
NO (EFFICIENCY REFERENTIAL)	1,034%
MASS DIAPHRAGM (MMD)	148,252 g
TOTAL MASS (MMS)	155,046 g
BL PRODUCT	15.819 TM
MECHANICAL Q (Qms)	5,567
Q ELECTRIC (Qes)	0,495
Q TOTAL (Qts)	0,454
COMPLIANCE (CMS)	22,767 u M/N
EQUIVALENT VOLUME (VAS)	8,700 L
SENSITIVITY (@ 1W, 1 m)-Free-Air	92,163 dB
FREQUENCY RESPONSE	50 to 2.400 Hz
RESONANCE FREQUENCY	84,711 Hz
EFFECTIVE CONE AREA (SD)	0,0518 Sq.m
CONE EXCURSION WITHOUT DISTORTION (X MAX)	- + 10 mm
FLOW DENSITY IN THE GAP	11,000 GAUSS

The Thiele-Small parameters are obtained after the application of a 45hz sinusoidal signal for a period of 30 minutes
At a pre-established voltage for the break-in.
A tolerance of + - 15% is allowed for specific values.

MECHANICAL PARAMETERS

NOMINAL DIAMETER	12 Inches
FERRITE DIAMETER	2 of 220 x 25 mm
COIL DIAMETER	4 Inches
COIL HEIGHT	28 mm
COIL WIRE MATERIAL	CCAW
COIL WIRE SECTION	Round
COIL SHAPE	*Kapton®
GAP HEIGHT	13 mm
HOUSING MATERIAL	Aluminum
FERRITE MATERIAL	Barium
WEIGHT	21,1 Kg
OCCUPIED VOLUME OF THE CABINET	6,4 Liters

*Kapton® Registered trademark by DUPONT

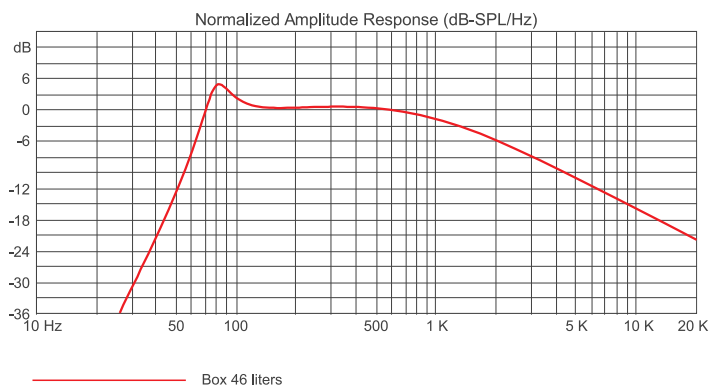
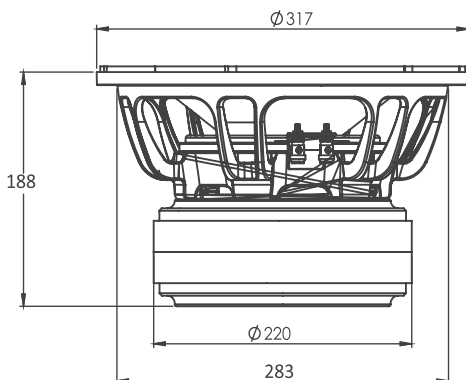
CABINET SUGGESTIONS

MODEL	VOLUM	CABINET DIMENSIONS		
	LITERS	HEIGHT	WIDTH	DEPTH
VENTED BOX	46	440mm	300 mm	350 mm

MODEL	VOLUM	RECTANGULAR DUCT			TUNE	(H.P.F)	ATTENUATION (ACTIVE)
		HEIGHT	WIDTH	DEPTH			
VENTED BOX	46	115mm	300 mm	248 mm	80 Hz	75 Hz	- 24 dB/ 8°

SUGGESTIVE MEASURES

PRODUCT DIMENSIONS



Warranty Term

All of our products, when produced, undergo rigorous evaluations, in each construction process until they are packaged, however, if any abnormality is detected when opening the packaging, it must be forwarded to one of our authorized service stations. If there's no one in your region it must be forwarded directly to the factory. **Each and every product must undergo a technical evaluation, in order to identify and prove what happened.**

The products are guaranteed for 1 (one) year after the invoice issuance, with the legal guarantee of 90 days, provided for in art. 26, item II, of law No. 8078/90 (Brazilian consumer protection code).

Warranty Conditions:

The product should be installed properly, by a qualified professional, respecting the product characteristics..

The customer **WILL NOT** have the warranty when:

- Exceed the 1 (one) year term.
- The damage is caused by a transport, handling or humidity accident.
- Damage caused by improper installation.
- Malfunctions in parts of the product (torn cone/hubcap, bent or broken speaker housing).
- Coils burned by excess power or extreme distortion conditions, causing heating above 240°.

Warranty Coverage:

- 7DRIVER guarantees its products against any defect in material or manufacturing process, provided that, at the discretion of its authorized technicians, a defect is found under normal conditions of use.
- **The PRODUCT must contain the original tag, in which its serial number is inserted.**
- To use the warranty, the customer must present the invoice and the warranty term, both must contain the serial number on the product tag..

Transport:

Only products under the warranty coverage will have their transportation expenses covered, otherwise the expense will be paid by the customer.

WARRANTY CERTIFICATE

NAME: _____

ADDRESS: _____

CITY: _____ ZIPCODE: _____

STATE: _____ PHONE: _____

STORE: _____

ADDRESS: _____

CITY: _____ ZIPCODE: _____

STATE: _____ PHONE: _____

INVOICE N°