

# THUNDER 3K7



A loudspeaker developed for you to enjoy the bass and medium bass with intensity, the THUNDER 3K7 will surprise you with the different finish and the desired sound pressure, created preferably for use in automotive electrical trios.

### ELECTRIC PARAMETERS

RMS POWER	1.850 W
MUSIC POWER	3.700 W
NOMINAL IMPEDANCE	4 or 8 Ohms
RESISTANCE	2,9 / 5,3 ohms/VCC
NO (EFFICIENCY REFERENTIAL)	1,011%
MASS DIAPHRAGM (MMD)	101,375 g
TOTAL MASS (MMS)	108,012 g
BL PRODUCT	14.853 TM
MECHANICAL Q (Qms)	8,227
Q ELECTRIC (Qes)	0,686
Q TOTAL (Qts)	0,633
COMPLIANCE (CMS)	34,348 u M/N
EQUIVALENT VOLUME (VAS)	12.722 L
SENSITIVITY (@ 1W, 1 m)-Free-Air	92,067 dB
FREQUENCY RESPONSE	50 to 3.000 Hz
RESONANCE FREQUENCY	82,629 Hz
EFFECTIVE CONE AREA (SD)	0,0510 Sq.m
CONE EXCURSION WITHOUT DISTORTION (X MAX)	- + 10 mm
FLOW DENSITY IN THE GAP	11.200 GAUSS

*The Thiele-Small parameters are obtained after the application of a 45hz sinusoidal signal for a period of 30 minute At a pre-established voltade for the break-in.  
A tolerance of +- 15% is allowed for specific values.*

### MECHANICAL PARAMETERS

NOMINAL DIAMETER	12 Inches
FERRITE DIAMETER	220 x 25 mm
COIL DIAMETER	4 Inches
COIL HEIGHT	27 mm
COIL WIRE MATERIAL	Copper
COIL WIRE SECTION	CCAW
COIL SHAPE	*Kapton®
GAP HEIGHT	12 mm
HOUSING MATERIAL	Aluminum
FERRITE MATERIAL	Barium
WEIGHT	11,4 Kg
OCCUPIED VOLUME OF THE CABINET	4,5 Liters

\*Kapton® Registered trademark by DUPONT

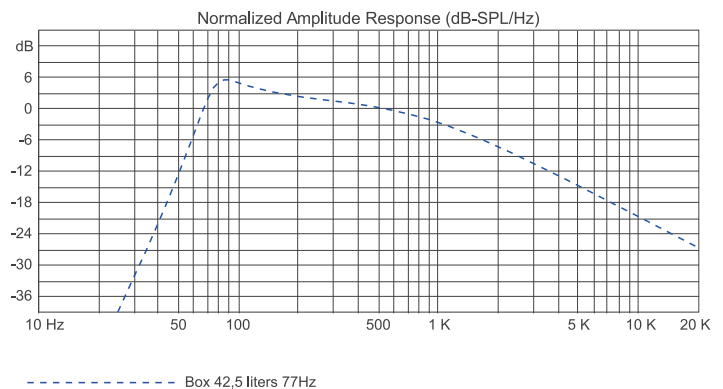
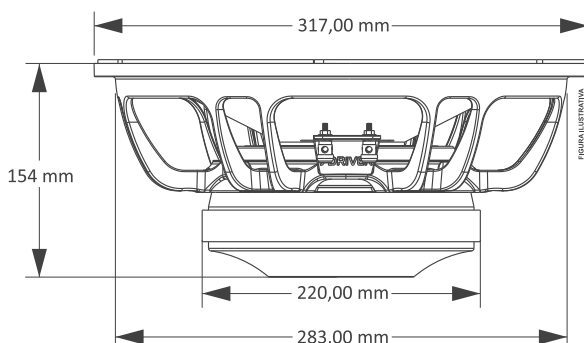
### CABINET SUGGESTIONS

MODEL	VOLUM LITER	CABINET DIMENSIONS		
		HEIGHT	WIDTH	DEPTH
VENTED BOX	42,5	430mm	300 mm	330 mm

MODEL	VOLUM LITER	RECTANGULAR DUCT			TUNE	(H.P.F)	ATTENUATION (ACTIVE)
		HEIGHT	WIDTH	DEPTH			
VENTED BOX	42,5	110mm	300 mm	269,4 mm	77 Hz	72 Hz	- 24 dB/ 8°

SUGGESTIVE MEASURES

### PRODUCT DIMENSIONS



# Warranty Term

All of our products, when produced, undergo rigorous evaluations, in each construction process until they are packaged, however, if any abnormality is detected when opening the packaging, it must be forwarded to one of our authorized service stations. If there's no one in your region it must be forwarded directly to the factory. **Each and every product must undergo a technical evaluation, in order to identify and prove what happened.**

The products are guaranteed for 1 (one) year after the invoice issuance, with the legal guarantee of 90 days, provided for in art. 26, item II, of law No. 8078/90 (Brazilian consumer protection code).

## Warranty Conditions:

The product should be installed properly, by a qualified professional, respecting the product characteristics..

The customer **WILL NOT** have the warranty when:

- Exceed the 1 (one) year term.
- The damage is caused by a transport, handling or humidity accident.
- Damage caused by improper installation.
- Malfunctions in parts of the product (torn cone/hubcap, bent or broken speaker housing).
- Coils burned by excess power or extreme distortion conditions, causing heating above 240°.

## Warranty Coverage:

- 7DRIVER guarantees its products against any defect in material or manufacturing process, provided that, at the discretion of its authorized technicians, a defect is found under normal conditions of use.
- **The PRODUCT must contain the original tag, in which its serial number is inserted.**
- To use the warranty, the customer must present the invoice and the warranty term, both must contain the serial number on the product tag..

## Transport:

Only products under the warranty coverage will have their transportation expenses covered, otherwise the expense will be paid by the customer.

# WARRANTY CERTIFICATE

NAME: \_\_\_\_\_

ADDRESS: \_\_\_\_\_

CITY: \_\_\_\_\_ ZIPCODE: \_\_\_\_\_

STATE: \_\_\_\_\_ PHONE: \_\_\_\_\_

STORE: \_\_\_\_\_

ADDRESS: \_\_\_\_\_

CITY: \_\_\_\_\_ ZIPCODE: \_\_\_\_\_

STATE: \_\_\_\_\_ PHONE: \_\_\_\_\_

INVOICE N°