



SL 3K1



The SL3K1 model is an 18-inch loudspeaker that was developed to reproduce bass and subwoofer. It is compatible with automotive and professional sound systems, such as concerts, theaters, movie theaters, churches, among others. We invite you to immerse yourself in a sound experience, where the low frequencies harmonize with great fidelity, through the velvety bass and clean tones.

ELECTRIC PARAMETERS

RMS POWER	1.550 W
MUSIC POWER	3.100 W
NOMINAL IMPEDANCE	4 or 8 Ohms
RESISTANCE	2,9 / 6,0 ohms/VCC
NO (EFFICIENCY REFERENTIAL)	2,500%
MASS DIAPHRAGM (MMD)	166,226 g
TOTAL MASS (MMS)	190,519 g
BL PRODUCT	25.853 TM
MECHANICAL Q (Qms)	9,568
Q ELECTRIC (Qes)	0,394
Q TOTAL (Qts)	0,378
COMPLIANCE (CMS)	99,008u M/N
EQUIVALENT VOLUME (VAS)	206,876 L
SENSITIVITY (@ 1W, 1 m)-Free-Air	95,998 dB
FREQUENCY RESPONSE	25 to 800 Hz
RESONANCE FREQUENCY	36,6 Hz
EFFECTIVE CONE AREA (SD)	0,1213 Sq.m
CONE EXCURSION WITHOUT DISTORTION (X MAX)	- + 12 mm
FLOW DENSITY IN THE GAP	10.000 GAUSS

MECHANICAL PARAMETERS

NOMINAL DIAMETER	18 Inches
FERRITE DIAMETER	220 x 25 mm
COIL DIAMETER	4 Inches
COIL HEIGHT	31 mm
COIL WIRE MATERIAL	Copper
COIL WIRE SECTION	Round
COIL SHAPE	*Kapton®
GAP HEIGHT	14 mm
HOUSING MATERIAL	Aluminum
FERRITE MATERIAL	Barium
WEIGHT	14,6 Kg
OCCUPIED VOLUME OF THE CABINET	6,4 Liters

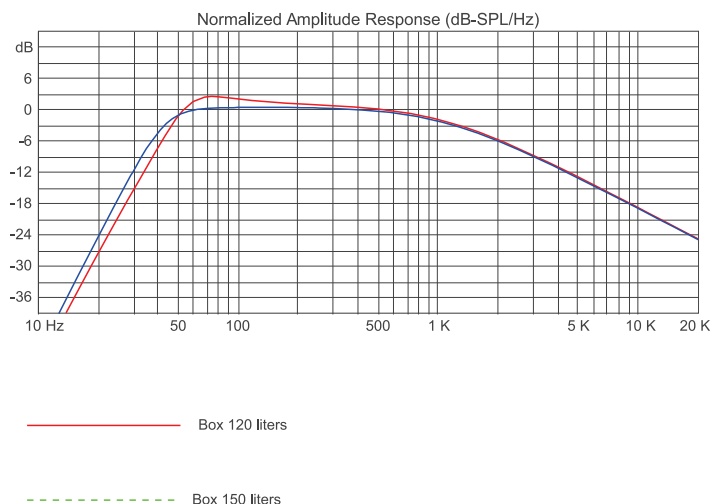
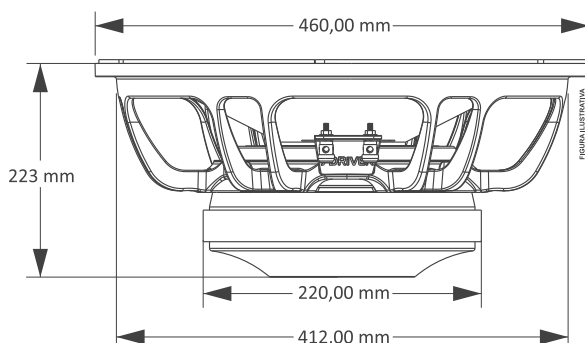
*Kapton® registered trademark by DUPONT

CABINET SUGGESTIONS

MODEL	VOLUM	DUCT	DUCT	DUCT	TUNE	(H.P.F)	ATTENUATION
	LITER	AUMONT	DIAMETER	DEPTH			(ACTIVE)
VENTED BOX	120	04	4"(Inches)	207 mm	50 Hz	45 Hz	- 24 dB/ Oitava
	150	04	4"(Inches)	295 mm	40 Hz	35 Hz	- 24 dB/ Oitava

The Thiele-Small parameters are obtained after the application of a 40hz sinusoidal signal for a period of 30 minutes At a pre-established voltage for the break-in.
A tolerance of + - 15% is allowed for specific values.

PRODUCT DIMENSIONS



Warranty Term

All of our products, when produced, undergo rigorous evaluations, in each construction process until they are packaged, however, if any abnormality is detected when opening the packaging, it must be forwarded to one of our authorized service stations. If there's no one in your region it must be forwarded directly to the factory. **Each and every product must undergo a technical evaluation, in order to identify and prove what happened.**

The products are guaranteed for 1 (one) year after the invoice issuance, with the legal guarantee of 90 days, provided for in art. 26, item II, of law No. 8078/90 (Brazilian consumer protection code).

Warranty Conditions:

The product should be installed properly, by a qualified professional, respecting the product characteristics..

The customer **WILL NOT** have the warranty when:

- Exceed the 1 (one) year term.
- The damage is caused by a transport, handling or humidity accident.
- Damage caused by improper installation.
- Malfunctions in parts of the product (torn cone/hubcap, bent or broken speaker housing).
- Coils burned by excess power or extreme distortion conditions, causing heating above 240°.

Warranty Coverage:

- 7DRIVER guarantees its products against any defect in material or manufacturing process, provided that, at the discretion of its authorized technicians, a defect is found under normal conditions of use.
- **The PRODUCT must contain the original tag, in which its serial number is inserted.**
- To use the warranty, the customer must present the invoice and the warranty term, both must contain the serial number on the product tag..

Transport:

Only products under the warranty coverage will have their transportation expenses covered, otherwise the expense will be paid by the customer.

WARRANTY CERTIFICATE

NAME: _____

ADDRESS: _____

CITY: _____ ZIPCODE: _____

STATE: _____ PHONE: _____

STORE: _____

ADDRESS: _____

CITY: _____ ZIPCODE: _____

STATE: _____ PHONE: _____

INVOICE N°