



# SL2K8

7DRIVER



SL 2K8, a 15-inch loudspeaker specially developed to reproduce bass with high income and performance, providing your ears with an incredible sound sensation. The SL 2K8 has a unique mechanical composition, to offer much more with less wear and tear. Welcome to our sound world.

### ELECTRIC PARAMETERS

RMS POWER	1.400 W
MUSIC POWER	2.800 W
NOMINAL IMPEDANCE	4 or 8 Ohms
RESISTANCE	2,8 or 5,8 ohms/VCC
NO (EFFICIENCY REFERENTIAL)	1,912%
SENSITIVITY (@ 1W, 1 m)-Free-Air	94,834 dB
MASS DIAPHRAGM (MMD)	148,018 g
TOTAL MASS (MMS)	162,401 g
BL PRODUCT	19.004 TM
MECHANICAL Q (Qms)	11,166
Q ELECTRIC (Qes)	0,362
Q TOTAL (Qts)	0,351
COMPLIANCE	79.883u M/N
EQUIVALENT VOLUME (VAS)	82.981 L
FREQUENCY RESPONSE	35Hz to 1.400Hz
RESONANCE FREQUENCY	44,187 Hz
Le @ 10 kHz (Coil inductance 10 kHz)	0,522 mH
EFFECTIVE CONE AREA (SD)	0,0855 Sq.m
CONE EXCURSION WITHOUT DISTORTION (X MAX)	- + 12,2 mm
FLOW DENSITY IN THE GAP	9.300 GAUSS

### MECHANICAL PARAMETERS

NOMINAL DIAMETER	15 Inches
FERRITE DIAMETER	220 X 110 X 25mm
COIL DIAMETER	4 Inches
COIL HEIGHT	31 mm
COIL WIRE MATERIAL	Copper
COIL WIRE SECTION	Round
COIL SHAPE	Fiber
GAP HEIGHT	13,5 mm
HOUSING MATERIAL	Aluminum
FERRITE MATERIAL	Barium
WEIGHT	14 Kg
OCCUPIED VOLUME OF THE CABINET	6,0 Liters

### CABINET SUGGESTIONS

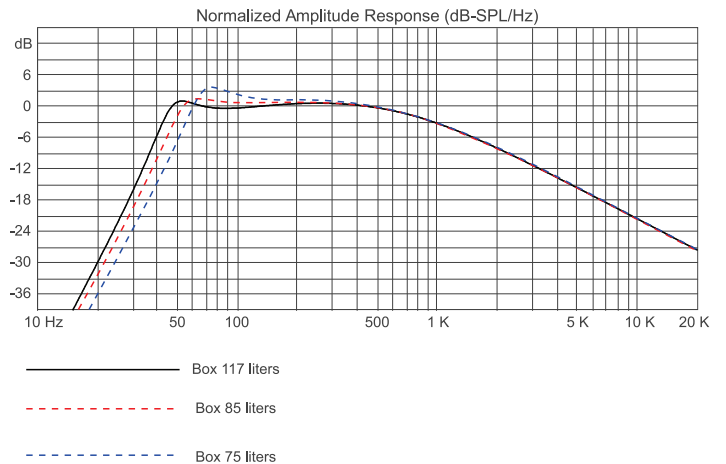
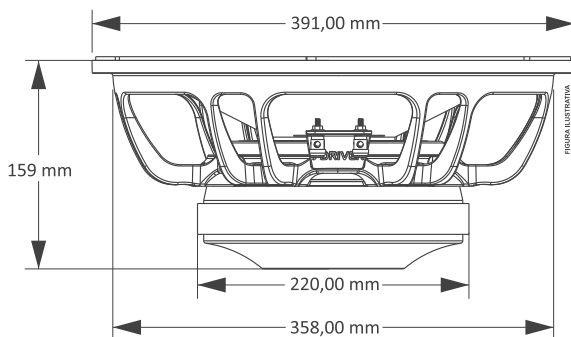
MODEL	VOLUM	DUCT	DUCT	DUCT	TUNE	(H.P.F)	ATTENUATION
	LITERS	AUMONT	DIAMETER	DEPTH			(ACTIVE)
VENTED BOX	75	04	4"(Inches)	138 mm	65 Hz	63 Hz	-24 dB/ 8º
	85	03	4"(inches)	175 mm	55 Hz	50 Hz	-24 dB/ 8º
	117	03	4"(inches)	140 mm	48 Hz	45 Hz	-24 dB/ 8º

SUGGESTIVE MEASURES

\*For the professional line it is mandatory to use the cotton or glass wool blanket

The Thiele-Small parameters are obtained after the application of a 40hz sinusoidal signal for a period of 30 minutes At a pre-established voltage for the break-in.  
A tolerance of + - 15% is allowed for specific values.

### PRODUCT DIMENSIONS



# Warranty Term

All of our products, when produced, undergo rigorous evaluations, in each construction process until they are packaged, however, if any abnormality is detected when opening the packaging, it must be forwarded to one of our authorized service stations. If there's no one in your region it must be forwarded directly to the factory. **Each and every product must undergo a technical evaluation, in order to identify and prove what happened.**

The products are guaranteed for 1 (one) year after the invoice issuance, with the legal guarantee of 90 days, provided for in art. 26, item II, of law No. 8078/90 (Brazilian consumer protection code).

## Warranty Conditions:

The product should be installed properly, by a qualified professional, respecting the product characteristics..

The customer **WILL NOT** have the warranty when:

- Exceed the 1 (one) year term.
- The damage is caused by a transport, handling or humidity accident.
- Damage caused by improper installation.
- Malfunctions in parts of the product (torn cone/hubcap, bent or broken speaker housing).
- Coils burned by excess power or extreme distortion conditions, causing heating above 240°.

## Warranty Coverage:

- 7DRIVER guarantees its products against any defect in material or manufacturing process, provided that, at the discretion of its authorized technicians, a defect is found under normal conditions of use.
- **The PRODUCT must contain the original tag, in which its serial number is inserted.**
- To use the warranty, the customer must present the invoice and the warranty term, both must contain the serial number on the product tag..

## Transport:

Only products under the warranty coverage will have their transportation expenses covered, otherwise the expense will be paid by the customer.

# WARRANTY CERTIFICATE

NAME: \_\_\_\_\_

ADDRESS: \_\_\_\_\_

CITY: \_\_\_\_\_ ZIPCODE: \_\_\_\_\_

STATE: \_\_\_\_\_ PHONE: \_\_\_\_\_

STORE: \_\_\_\_\_

ADDRESS: \_\_\_\_\_

CITY: \_\_\_\_\_ ZIPCODE: \_\_\_\_\_

STATE: \_\_\_\_\_ PHONE: \_\_\_\_\_

INVOICE N°