



The ML 500S model was designed to faithfully reproduce bass and midrange, responding from 55Hz to 3,200Hz. Its ventilated housing provides an efficient heat exchange that preserves the coil, rated at 250 watts RMS. The ML 500S can be used in a variety of sound systems.

**ELECTRIC PARAMETERS**

RMS POWER	250 W
MUSIC POWER	500 W
NOMINAL IMPEDANCE	4 or 8 Ohms
RESISTANCE	3,1 / 6,2 ohms/VCC
NO (EFFICIENCY REFERENTIAL)	1,807%
SENSITIVITY (@ 1W, 1 m)-Free-Air	94,588 dB
MASS DIAPHRAGM (MMD)	26,591 g
TOTAL MASS (MMS)	30,738 g
BL PRODUCT	8.547 TM
MECHANICAL (Qms)	6,681
Q ELECTRIC (Qes)	0,498
Q TOTAL (Qts)	0,464
COMPLIANCE (CMS)	252,667u M/N
EQUIVALENT VOLUME (VAS)	49,985 L
FREQUENCY RESPONSE	55Hz to 3.200Hz
RESONANCE FREQUENCY	57,110 Hz
Le @ 10 kHz (COIL INDUCTANCE 10 kHz)	0,381 mH
EFFECTIVE CONE AREA (SD)	0,0373 Sq.m
CONE EXCURSION WITHOUT DISTORTION (X MAX)	- + 4,4 mm
FLOW DENSITY IN THE GAP	11.300 GAUSS

**MECHANICAL PARAMETERS**

NOMINAL DIAMETER	10 Inches
FERRITE DIAMETER	147 X 63 X 16 mm
COIL DIAMETER	2 Inches
COIL HEIGHT	12 mm
COIL WIRE MATERIAL	Copper
COIL WIRE SECTION	Round
COIL SHAPE	*Kapton®
GAP HEIGHT	6,35 mm
HOUSING MATERIAL	Steel
FERRITE MATERIAL	Barium
WEIGHT	3,100 Kg
OCCUPIED VOLUME OF THE CABINET	1,6 Liters

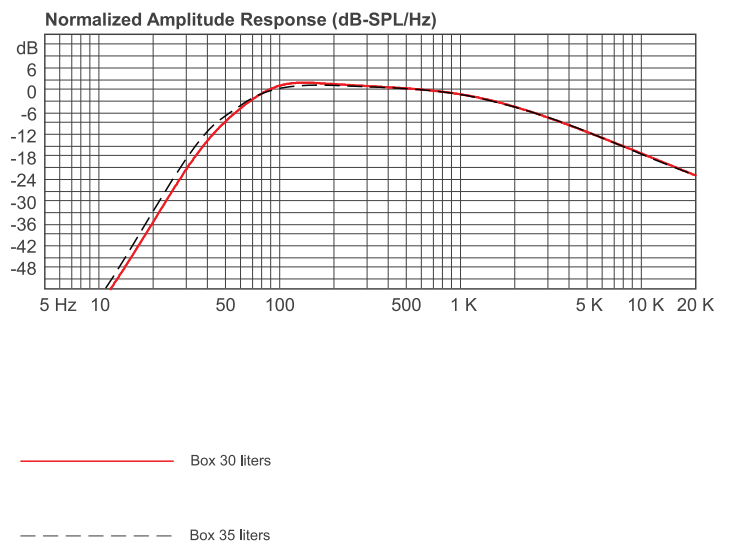
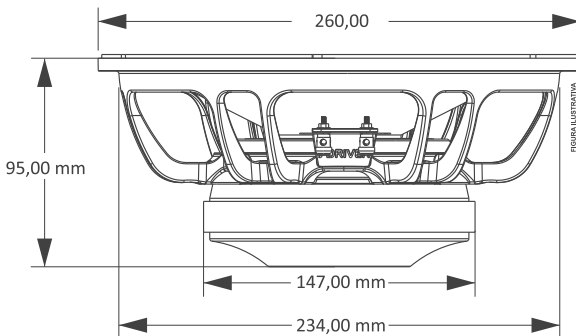
\*Kapton® Registered trademark by DUPONT

**CABINET SUGGESTIONS**

MODEL	VOLUM	DUCT	DUCT	DUCT	TUNE	(H.P.F)	ATTENUATION (ACTIVE)
	LITER	AUMONT	DIAMETER	DEPTH			
VENTED BOX	30	02	03 (Inches)	178,6 mm	60 Hz	57 Hz	- 24 dB/ 8°
	35	02	03 (Inches)	216,2 mm	52 Hz	49 Hz	- 24 dB/ 8°

The Thiele-Small parameters are obtained after applying a 45Hz sinusoidal signal (Free air) for a period of 30 minutes at a pre-set tension for break-in.  
A tolerance of + - 15% in the specified values is allowed.

**PRODUCT DIMENSIONS**



# Warranty Term

All of our products, when produced, undergo rigorous evaluations, in each construction process until they are packaged, however, if any abnormality is detected when opening the packaging, it must be forwarded to one of our authorized service stations. If there's no one in your region, it must be forwarded directly to the factory. **Each and every product must undergo a technical evaluation, in order to identify and prove what happened.**

The products are guaranteed for 1 (one) year after the invoice issuance, with the legal guarantee of 90 days, provided for in art. 26, item II, of law No. 8078/90 (Brazilian consumer protection code).

## Warranty Conditions:

The product should be installed properly, by a qualified professional, respecting the product characteristics..

The customer **WILL NOT** have the warranty when:

- Exceed the 1 (one) year term.
- The damage is caused by a transport, handling or humidity accident.
- Damage caused by improper installation.
- Malfunctions in parts of the product (torn cone/hubcap, bent or broken speaker housing).
- Coils burned by excess power or extreme distortion conditions, causing heating above 240°.

## Warranty Coverage:

- 7DRIVER guarantees its products against any defect in material or manufacturing process, provided that, at the discretion of its authorized technicians, a defect is found under normal conditions of use.
- **The PRODUCT must contain the original tag, in which its serial number is inserted.**
- To use the warranty, the customer must present the invoice and the warranty term, both must contain the serial number on the product tag..

## Transport:

Only products under the warranty coverage will have their transportation expenses covered, otherwise the expense will be paid by the customer.

# WARRANTY CERTIFICATE

NAME: \_\_\_\_\_

ADDRESS: \_\_\_\_\_

CITY: \_\_\_\_\_ ZIPCODE: \_\_\_\_\_

STATE: \_\_\_\_\_ PHONE: \_\_\_\_\_

STORE: \_\_\_\_\_

ADDRESS: \_\_\_\_\_

CITY: \_\_\_\_\_ ZIPCODE: \_\_\_\_\_

STATE: \_\_\_\_\_ PHONE: \_\_\_\_\_

INVOICE N°