



ML 570S



Enjoy the bass and mid-range with intensity of definition in a product with great fidelity to reproduce your favorite songs. The ML 570S will surprise you with sound details within its performance range, it can be used preferably in automotive electrical trios.

ELECTRIC PARAMETERS

| | |
|---|--------------------|
| RMS POWER | 570 W |
| MUSIC POWER | 1.140 W |
| NOMINAL IMPEDANCE | 4 or 8 Ohms |
| RESISTANCE | 2,8 / 5,9 ohms/VCC |
| NO (EFFICIENCY REFERENTIAL) | 1,926% |
| MASS DIAPHRAGM (MMD) | 45,044 g |
| TOTAL MASS (MMS) | 51,681 g |
| BL PRODUCT | 10.388 TM |
| MECHANICAL Q (Qms) | 8,008 |
| Q ELECTRIC (Qes) | 0,716 |
| Q TOTAL (Qts) | 0,658 |
| COMPLIANCE (CMS) | 79,354u M/N |
| EQUIVALENT VOLUME (VAS) | 29,390 L |
| SENSITIVITY (@ 1W, 1 m)-Free-Air | 94,864 dB |
| FREQUENCY RESPONSE | 50 to 3.600 Hz |
| RESONANCE FREQUENCY | 78,6 Hz |
| EFFECTIVE CONE AREA (SD) | 0,0510 Sq.m |
| CONE EXCURSION WITHOUT DISTORTION (X MAX) | - + 7 mm |
| FLOW DENSITY IN THE GAP | 10.200 GAUSS |

The Thiele-small parameters are obtained after the application of a 55hz sinusoidal signal for a period of 30 minutes
Ate a pre-established voltage for the break-in.
A tolerance of + - 15% is allowed for specific values.

MECHANICAL PARAMETERS

| | |
|--------------------------------|-------------|
| NOMINAL DIAMETER | 12 Inches |
| FERRITE DIAMETER | 169 x 24 mm |
| COIL DIAMETER | 3 Inches |
| COIL HEIGHT | 18 mm |
| COIL WIRE MATERIAL | CCA W |
| COIL WIRE SECTION | Round |
| COIL SHAPE | *Kapton® |
| GAP HEIGHT | 9,2 mm |
| HOUSING MATERIAL | Steel |
| FERRITE MATERIAL | Barium |
| WEIGHT | 5,7 Kg |
| OCCUPIED VOLUME OF THE CABINET | 3,2 Litros |

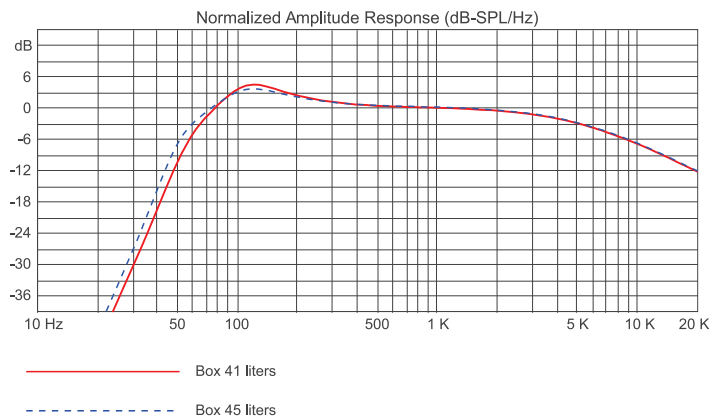
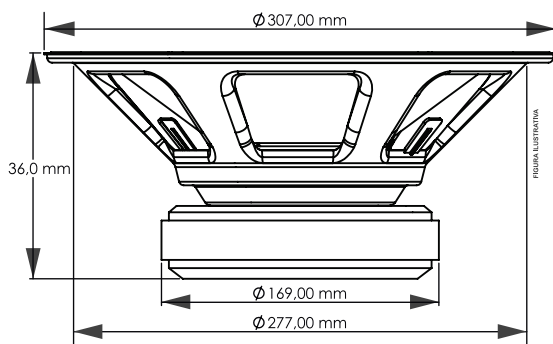
*Kapton® Registered trademark by DUPONT

CABINET SUGGESTIONS

| MODEL | VOLUM LITER | DUCT AUMONT | DUCT DIAMETER | DUCT DEPTH | TUNE | (H.P.F) | ATTENUATION (ACTIVE) |
|------------|-------------|-------------|---------------|------------|-------|---------|----------------------|
| VENTED BOX | 45 | 03 | 4"(Inches) | 240 mm | 68 Hz | 63 Hz | - 24 dB/ 8º |
| | 41 | 03 | 4"(Inches) | 181 mm | 77 Hz | 72 Hz | - 24 dB/ 8º |

suggestive measures

PRODUCT DIMENSIONS



Warranty Term

All of our products, when produced, undergo rigorous evaluations, in each construction process until they are packaged, however, if any abnormality is detected when opening the packaging, it must be forwarded to one of our authorized service stations. If there's no one in your region it must be forwarded directly to the factory. **Each and every product must undergo a technical evaluation, in order to identify and prove what happened.**

The products are guaranteed for 1 (one) year after the invoice issuance, with the legal guarantee of 90 days, provided for in art. 26, item II, of law No. 8078/90 (Brazilian consumer protection code).

Warranty Conditions:

The product should be installed properly, by a qualified professional, respecting the product characteristics..

The customer **WILL NOT** have the warranty when:

- Exceed the 1 (one) year term.
- The damage is caused by a transport, handling or humidity accident.
- Damage caused by improper installation.
- Malfunctions in parts of the product (torn cone/hubcap, bent or broken speaker housing).
- Coils burned by excess power or extreme distortion conditions, causing heating above 240°.

Warranty Coverage:

- 7DRIVER guarantees its products against any defect in material or manufacturing process, provided that, at the discretion of its authorized technicians, a defect is found under normal conditions of use.
- **The PRODUCT must contain the original tag, in which its serial number is inserted.**
- To use the warranty, the customer must present the invoice and the warranty term, both must contain the serial number on the product tag..

Transport:

Only products under the warranty coverage will have their transportation expenses covered, otherwise the expense will be paid by the customer.

WARRANTY CERTIFICATE

NAME: _____

ADDRESS: _____

CITY: _____ ZIPCODE: _____

STATE: _____ PHONE: _____

STORE: _____

ADDRESS: _____

CITY: _____ ZIPCODE: _____

STATE: _____ PHONE: _____

INVOICE N°