



ML 520S



Enjoy bass and midrange with intensity and definition with a loudspeaker that brings a lot of fidelity in the reproduction of your favorite songs. The ML 520S will surprise you in sonic details, within its performance range. It is recommended to use preferably in automotive and semi-professional sound systems.

ELECTRIC PARAMETERS

RMS POWER	520 W
MUSIC POWER	1.040 W
NOMINAL IMPEDANCE	4 or 8 Ohms
RESISTANCE	2,8 / 5,9 ohms/VCC
NO (EFFICIENCY REFERENTIAL)	1,809%
MASS DIAPHRAGM (MMD)	30,344 g
TOTAL MASS (MMS)	34,490 g
BL PRODUCT	12.831 TM
MECHANICAL Q (Qms)	7,593
Q ELECTRIC (Qes)	0,584
Q TOTAL (Qts)	0,542
COMPLIANCE (CMS)	129,843u M/N
EQUIVALENT VOLUME (VAS)	25,687 L
SENSITIVITY (@ 1W, 1 m)-Free-Air	94,593 dB
FREQUENCY RESPONSE	60 to 4.500 Hz
RESONANCE FREQUENCY	75,2 Hz
EFFECTIVE CONE AREA (SD)	0,0373 Sq.m
CONE EXCURSION WITHOUT DISTORTION (X MAX)	- + 7 mm
FLOW DENSITY IN THE GAP	9.680 GAUSS

MECHANICAL PARAMETERS

NOMINAL DIAMETER	10 inches
FERRITE DIAMETER	169 x 24 mm
COIL DIAMETER	3 inches
COIL HEIGHT	18 mm
COIL WIRE MATERIAL	CCAW
COIL WIRE SECTION	Round
COIL SHAPE	Fiber
GAP HEIGHT	7,7 mm
HOUSING MATERIAL	Steel
FERRITE MATERIAL	Barium
WEIGHT	5,9 Kg
OCCUPIED VOLUME OF THE CABINET	2,1 Liters

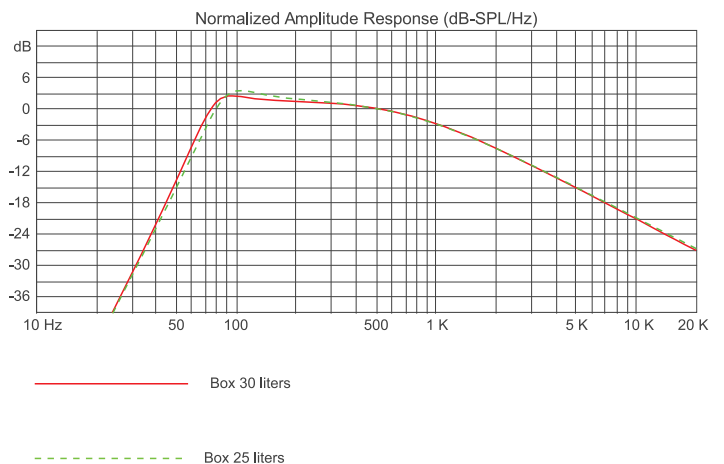
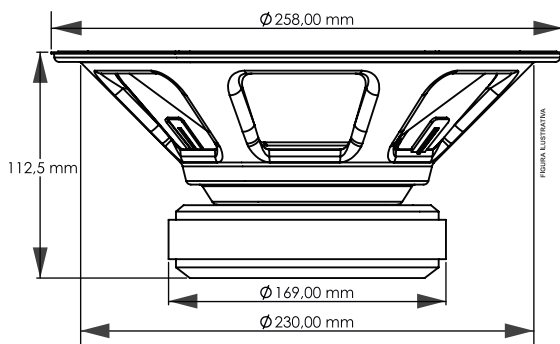
CABINET SUGGESTIONS

MODEL	VOLUM	DUCT	DUCT	DUCT	TUNE	(H.P.F)	ATTENUATION
	LITER	AUMONT	AUMONT	DEPTH			(ACTIVE)
VENTED BOX	30	03	3"(inches)	115 mm	80 Hz	75 Hz	- 24 dB/ 8º
	25	03	3"(inches)	102 mm	90 Hz	85 Hz	- 24 dB/ 8º

SUGGESTIVE MEASURES

The Thiele-Small parameters are obtained after the application of a 60hz sinusoidal signal for a period of 30 minutes At a pre-established voltage for the break-in.
A tolerance of + - 15% is allowed for specific values.

PRODUCT DIMENSIONS



Warranty Term

All of our products, when produced, undergo rigorous evaluations, in each construction process until they are packaged, however, if any abnormality is detected when opening the packaging, it must be forwarded to one of our authorized service stations. If there's no one in your region it must be forwarded directly to the factory. **Each and every product must undergo a technical evaluation, in order to identify and prove what happened.**

The products are guaranteed for 1 (one) year after the invoice issuance, with the legal guarantee of 90 days, provided for in art. 26, item II, of law No. 8078/90 (Brazilian consumer protection code).

Warranty Conditions:

The product should be installed properly, by a qualified professional, respecting the product characteristics..

The customer **WILL NOT** have the warranty when:

- Exceed the 1 (one) year term.
- The damage is caused by a transport, handling or humidity accident.
- Damage caused by improper installation.
- Malfunctions in parts of the product (torn cone/hubcap, bent or broken speaker housing).
- Coils burned by excess power or extreme distortion conditions, causing heating above 240°.

Warranty Coverage:

- 7DRIVER guarantees its products against any defect in material or manufacturing process, provided that, at the discretion of its authorized technicians, a defect is found under normal conditions of use.
- **The PRODUCT must contain the original tag, in which its serial number is inserted.**
- To use the warranty, the customer must present the invoice and the warranty term, both must contain the serial number on the product tag..

Transport:

Only products under the warranty coverage will have their transportation expenses covered, otherwise the expense will be paid by the customer.

WARRANTY CERTIFICATE

NAME: _____

ADDRESS: _____

CITY: _____ ZIPCODE: _____

STATE: _____ PHONE: _____

STORE: _____

ADDRESS: _____

CITY: _____ ZIPCODE: _____

STATE: _____ PHONE: _____

INVOICE N°