



MH 380



The MH 380 model was developed to reproduce with fidelity middle high and natural frequency ranges. It is compatible with any sound system, be it automotive trios or professional sound systems, such as line arrays, monitors, movie theaters, theaters, among others. Offering clean, high definition tone.

ELECTRIC PARAMETERS

RMS POWER	380 W
MUSIC POWER	760 W
NOMINAL IMPEDANCE	8 Ohms
RESISTANCE	5,2 ohms/VCC
NO (Efficiency referential)	1,613%
MASS DIAPHRAGM (MMD)	20,379 g
SENSITIVITY (@ 1W, 1m)-Free-Air	94,094 dB
TOTAL MASS (MMS)	22,081 g
BL PRODUCT	13.186 TM
MECHANICAL Q (Qms)	5,897
Q ELECTRIC (Qes)	0,303
Q TOTAL (Qts)	0,288
COMPLIANCE (CMS)	215,610u M/N
EQUIVALENT VOLUME (VAS)	13,008 L
FREQUENCY RESPONSE	70 to 7.000 Hz
RESONANCE FREQUENCY	73 Hz
Le @ 10 kHz (coil inductance 10 kHz)	0,2804 mH
EFFECTIVE CONE AREA (SD)	0,0206 Sq.m
CONE EXCURSION WITHOUT DISTORTION (X MAX)	- + 4,5 mm
FLOW DENSITY IN THE GAP	12.370 GAUSS

MECHANICAL PARAMETERS

NOMINAL DIAMETER	8 Inches
FERRITE DIAMETER	169 x 24 mm
COIL DIAMETER	3 Inches
COIL HEIGHT	13 mm
COIL WIRE MATERIAL	Aluminum
COIL WIRE SECTION	Flat
COIL SHAPE	Fiber
GAP HEIGHT	8 mm
HOUSING MATERIAL	Aluminum
FERRITE MATERIAL	Barium
WEIGHT	5,9 Kg
OCCUPIED VOLUME OF THE CABINET	1,5 Liters

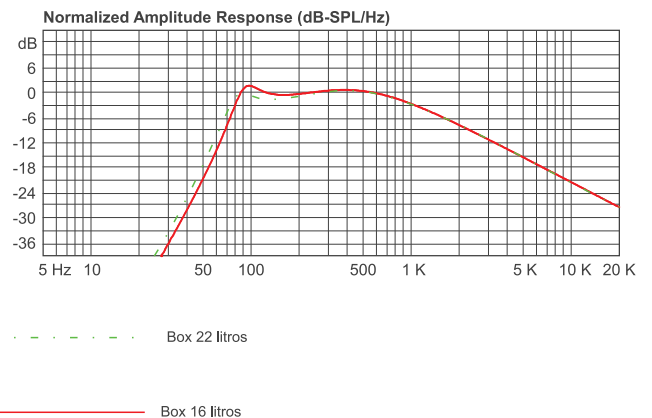
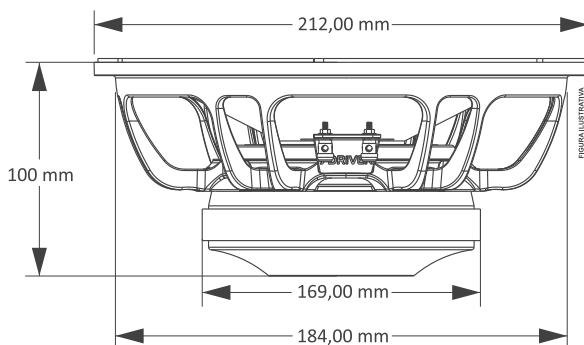
CABINET SUGGESTIONS

MODEL	VOLUM	DUCT	DUCT	DUCT	TUNE	(H.P.F)	ATTENUATION
	LITER	AUMONT	DIAMETER	DEPTH			(ACTIVE)
VENTED BOX	22	02	3"(inches)	105 mm	80 Hz	75 Hz	- 24 dB/ Oitava
	16	02	3"(inches)	105 mm	100 Hz	95 Hz	- 24 dB/ Oitava

SUGGESTIVE MEASURES

The Thiele-Small parameters are obtained after the application of a 50hz sinusoidal signal for a period of 30 minutes At a pre-established voltage for the break-in A tolerance of + - 15% is allowed for specific values.

PRODUCT DIMENSIONS



Warranty Term

All of our products, when produced, undergo rigorous evaluations, in each construction process until they are packaged, however, if any abnormality is detected when opening the packaging, it must be forwarded to one of our authorized service stations. If there's no one in your region it must be forwarded directly to the factory. **Each and every product must undergo a technical evaluation, in order to identify and prove what happened.**

The products are guaranteed for 1 (one) year after the invoice issuance, with the legal guarantee of 90 days, provided for in art. 26, item II, of law No. 8078/90 (Brazilian consumer protection code).

Warranty Conditions:

The product should be installed properly, by a qualified professional, respecting the product characteristics..

The customer **WILL NOT** have the warranty when:

- Exceed the 1 (one) year term.
- The damage is caused by a transport, handling or humidity accident.
- Damage caused by improper installation.
- Malfunctions in parts of the product (torn cone/hubcap, bent or broken speaker housing).
- Coils burned by excess power or extreme distortion conditions, causing heating above 240°.

Warranty Coverage:

- 7DRIVER guarantees its products against any defect in material or manufacturing process, provided that, at the discretion of its authorized technicians, a defect is found under normal conditions of use.
- **The PRODUCT must contain the original tag, in which its serial number is inserted.**
- To use the warranty, the customer must present the invoice and the warranty term, both must contain the serial number on the product tag..

Transport:

Only products under the warranty coverage will have their transportation expenses covered, otherwise the expense will be paid by the customer.

WARRANTY CERTIFICATE

NAME: _____

ADDRESS: _____

CITY: _____ ZIPCODE: _____

STATE: _____ PHONE: _____

STORE: _____

ADDRESS: _____

CITY: _____ ZIPCODE: _____

STATE: _____ PHONE: _____

INVOICE N°