



# MB 620



We present you a product to faithfully reproduce the bass and medium in all types of systems, be it automotive (electric trios) or professional performance system, such as concerts, churches, theaters, etc. It is a loudspeaker that has been developed with components to offer your ears a new experience with clean, high definition tones.

## ELECTRIC PARAMETERS

RMS POWER	620 W
MUSIC POWER	1.240 W
NOMINAL IMPEDANCE	4 or 8 Ohms
RESISTANCE	2,80 / 5,8 ohms/VCC
NO (EFFICIENCY REFERENTIAL)	2,619%
TOTAL MASS (MMS)	62,674 g
BL PRODUCT	14.498 TM
MECHANICAL Q (Qms)	8,074
SENSITIVITY (@ 1W, 1m)-Free-Air	96,200 dB
Q ELECTRIC (Qes)	0,324
Q TOTAL (Qts)	0,312
MASS DIAPHRAGM (MMD)	56,037 g
EQUIVALENT VOLUME (VAS)	43,524 L
COMPLIANCE (CMS)	117,515 M/N
FREQUENCY RESPONSE	50 to 5.000 Hz
RESONANCE FREQUENCY	58,645 Hz
EFFECTIVE CONE AREA (SD)	0,0510 Sq.m
CONE EXCURSION WITHOUT DISTORTION (X MAX)	- + 8,5 mm
FLOW DENSITY IN THE GAP	13.240 GAUSS

*The Thiele-Small parameters are obtained after the application of a 55hz sinusoidal signal for a period of 30 minutes  
At a pre-established voltage for the break-in.  
A tolerance of +/- 15% is allowed for specific values.*

## MECHANICAL PARAMETERS

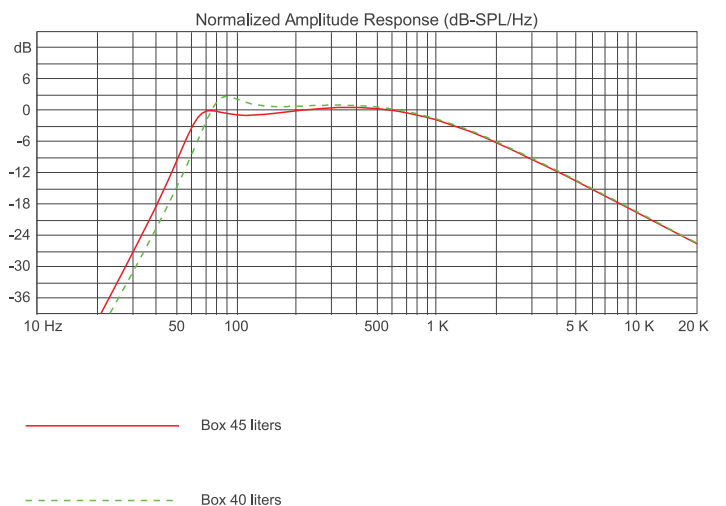
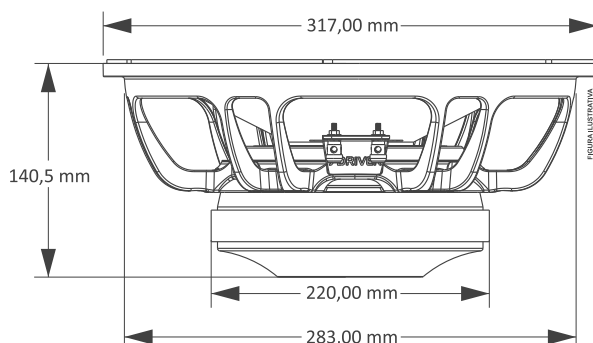
NOMINAL DIAMETER	12 inches
FERRITE DIAMETER	220 x 23 mm
COIL DIAMETER	4 inches
COIL HEIGHT	21 mm
COIL WIRE MATERIAL	Aluminum
COIL WIRE SECTION	Flat
COIL SHAPE	Fiber
GAP HEIGHT	7 mm
HOUSING MATERIAL	Aluminum
FERRITE MATERIAL	Barium
WEIGHT	10,4 Kg
OCCUPIED VOLUME OF THE CABINET	3,7 Liters

## CABINET SUGGESTIONS

MODEL	VOLUM	DUCT	DUCT	DUCT	TUNE	(H.P.F)	ATTENUATION (ACTIVE)
	LITER	AUMONT	DIAMETER	DEPTH			
VENTED BOX	45	02	4"(inches)	140 mm	65 Hz	60 Hz	-24 dB/ 8 <sup>º</sup>
	40	03	4"(inches)	160 mm	80 Hz	75 Hz	-24 dB/ 8 <sup>º</sup>

SUGGESTIVE MEASURES

## PRODUCT DIMENSIONS



# Warranty Term

All of our products, when produced, undergo rigorous evaluations, in each construction process until they are packaged, however, if any abnormality is detected when opening the packaging, it must be forwarded to one of our authorized service stations. If there's no one in your region it must be forwarded directly to the factory. **Each and every product must undergo a technical evaluation, in order to identify and prove what happened.**

The products are guaranteed for 1 (one) year after the invoice issuance, with the legal guarantee of 90 days, provided for in art. 26, item II, of law No. 8078/90 (Brazilian consumer protection code).

## Warranty Conditions:

The product should be installed properly, by a qualified professional, respecting the product characteristics..

The customer **WILL NOT** have the warranty when:

- Exceed the 1 (one) year term.
- The damage is caused by a transport, handling or humidity accident.
- Damage caused by improper installation.
- Malfunctions in parts of the product (torn cone/hubcap, bent or broken speaker housing).
- Coils burned by excess power or extreme distortion conditions, causing heating above 240°.

## Warranty Coverage:

- 7DRIVER guarantees its products against any defect in material or manufacturing process, provided that, at the discretion of its authorized technicians, a defect is found under normal conditions of use.
- **The PRODUCT must contain the original tag, in which its serial number is inserted.**
- To use the warranty, the customer must present the invoice and the warranty term, both must contain the serial number on the product tag..

## Transport:

Only products under the warranty coverage will have their transportation expenses covered, otherwise the expense will be paid by the customer.

# WARRANTY CERTIFICATE

NAME: \_\_\_\_\_

ADDRESS: \_\_\_\_\_

CITY: \_\_\_\_\_ ZIPCODE: \_\_\_\_\_

STATE: \_\_\_\_\_ PHONE: \_\_\_\_\_

STORE: \_\_\_\_\_

ADDRESS: \_\_\_\_\_

CITY: \_\_\_\_\_ ZIPCODE: \_\_\_\_\_

STATE: \_\_\_\_\_ PHONE: \_\_\_\_\_

INVOICE N°