



# FR 400S



The FR 400S is a 6-inch loudspeaker that has been carefully designed to reproduce low to high frequencies, at 4 or 8 ohm impedances. It is very versatile and can be use in the most varied sound systems. Due to the choice of its components, we transformed this little one into a giant because of responses range. One of the great differentials of this product was to leave aside the traditional heat, which makes it difficult for the hot air generated by the coil to escape, in order to insert a phase plug in the center of the pole, providing a clean and very well defined response at high frequencies, reducing the natural harmonic distortions of a common loudspeaker. In addition to contributing to better coil ventilation, making it work at lower temperatures, it reduces the famous dynamic compressions due to excess temperature. FR 400S, your playlist much more present in your ears.

## ELECTRIC PARAMETERS

RMS POWER	200 W
MUSIC POWER	400 W
NOMINAL IMPEDANCE	4 or 8 Ohms
RESISTANCE	3,1 / 6,2 ohms/VCC
NO (EFFICIENCY REFERENTIAL)	2,193%
SENSITIVITY (@ 1W, 1 m)-Free-Air	95,428 dB
MASS DIAPHRAGM (MMD)	6,842 g
TOTAL MASS (MMS)	7,871 g
BL PRODUCT	5.917 TM
MECHANICAL Q (Qms)	3,530
Q ELECTRIC (Qes)	0,464
Q TOTAL (Qts)	0,410
COMPLIANCE (CMS)	287,149u M/N
EQUIVALENT VOLUME (VAS)	8,860 L
FREQUENCY RESPONSE	100Hz to 6.000Hz
RESONANCE FREQUENCY	105,862 Hz
Le @ 10 kHz (coil inductance 10 kHz)	0,2008 mH
EFFECTIVE CONE AREA (SD)	0,0147 Sq.m
CONE EXCURSION WITHOUT DISTORTION (X MAX)	- + 4 mm
FLOW DENSITY IN THE GAP	11.850 GAUSS

## MECHANICAL PARAMETERS

NOMINAL DIAMETER	6 inches
FERRITE DIAMETER	115 X 56 X 18mm
COIL DIAMETER	1.1/2 inches
COIL HEIGHT	10,5 mm
COIL WIRE MATERIAL	CCAW
COIL WIRE SECTION	Round
COIL SHAPE	*Kapton®
GAP HEIGHT	6 mm
HOUSING MATERIAL	Steel
FERRITE MATERIAL	Bário
WEIGH	1,96 Kg
OCCUPIED VOLUME OF THE CABINET	0,60 Liters

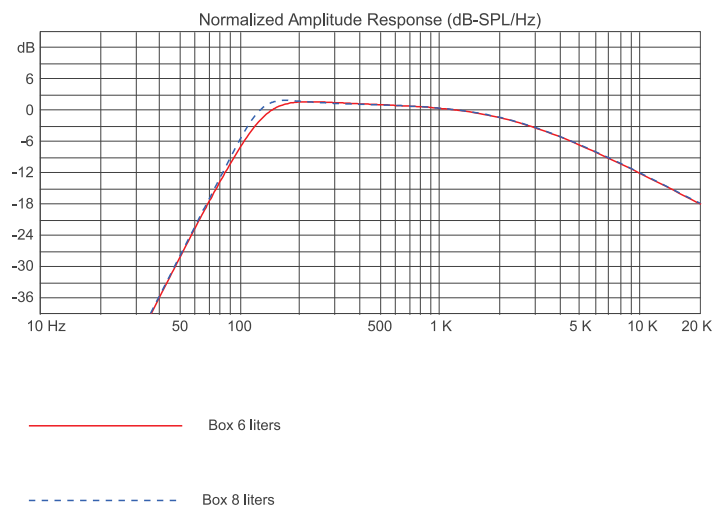
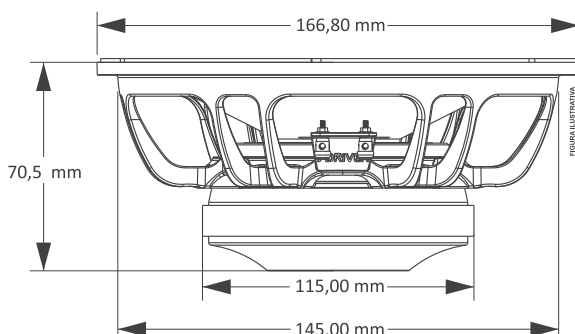
## GABINET SUGGESTION

MODEL	VOLUM	DUCT	DUCT	DUCT	TUNE	(H.P.F)	ATTENUATION
	LITER	AUMONT	DIAMETER	DEPTH			
VENTED BOX	6	02	2"(inches)	71 mm	125 Hz	100 Hz	- 24 dB/ 8º
	8	02	2"(inches)	40 mm	125 Hz	100 Hz	- 24 dB/ 8º

SUGGESTIVE MEASURES

The Thiele-Small parameters are obtained after the application of a 60hz sinusoidal signal for a period of 30 minutes At a pre-established voltage for the break-in.  
A tolerance of + - 15% is allowed for specific values..

## PRODUCT DIMENSIONS



# Warranty Term

All of our products, when produced, undergo rigorous evaluations, in each construction process until they are packaged, however, if any abnormality is detected when opening the packaging, it must be forwarded to one of our authorized service stations. If there's no one in your region it must be forwarded directly to the factory. **Each and every product must undergo a technical evaluation, in order to identify and prove what happened.**

The products are guaranteed for 1 (one) year after the invoice issuance, with the legal guarantee of 90 days, provided for in art. 26, item II, of law No. 8078/90 (Brazilian consumer protection code).

## Warranty Conditions:

The product should be installed properly, by a qualified professional, respecting the product characteristics..

The customer **WILL NOT** have the warranty when:

- Exceed the 1 (one) year term.
- The damage is caused by a transport, handling or humidity accident.
- Damage caused by improper installation.
- Malfunctions in parts of the product (torn cone/hubcap, bent or broken speaker housing).
- Coils burned by excess power or extreme distortion conditions, causing heating above 240°.

## Warranty Coverage:

- 7DRIVER guarantees its products against any defect in material or manufacturing process, provided that, at the discretion of its authorized technicians, a defect is found under normal conditions of use.
- **The PRODUCT must contain the original tag, in which its serial number is inserted.**
- To use the warranty, the customer must present the invoice and the warranty term, both must contain the serial number on the product tag..

## Transport:

Only products under the warranty coverage will have their transportation expenses covered, otherwise the expense will be paid by the customer.

# WARRANTY CERTIFICATE

NAME: \_\_\_\_\_

ADDRESS: \_\_\_\_\_

CITY: \_\_\_\_\_ ZIPCODE: \_\_\_\_\_

STATE: \_\_\_\_\_ PHONE: \_\_\_\_\_

STORE: \_\_\_\_\_

ADDRESS: \_\_\_\_\_

CITY: \_\_\_\_\_ ZIPCODE: \_\_\_\_\_

STATE: \_\_\_\_\_ PHONE: \_\_\_\_\_

INVOICE N°