



THUNDER 3K7



Enjoy the bass and mid-bass frequencies with intensity, the THUNDER 3K7 will amaze you with a high quality finish and the sound pressure you want. It can be used preferably in outdoor sound systems.

PARÂMETROS ELÉTRICOS

POTÊNCIA RMS	1.850 W
POTÊNCIA MUSICAL	3.700 W
IMPEDÂNCIA NOMINAL	4 ou 8 Ohms
RESISTÊNCIA	2,9 / 5,3 ohms/VCC
NO (REFERENCIAL DE EFICIÊNCIA)	1,011%
MASSA DIAFRAGMA (MMD)	101,375 g
MASSA TOTAL(MMS)	108,012 g
PRODUTO BL	14.853 TM
Q MECÂNICO (Qms)	8,227
Q ELÉTRICO (Qes)	0,686
Q TOTAL (Qts)	0,633
COMPLIÂNCIA (CMS)	34,348 u M/N
VOLUME EQUIVALENTE (VAS)	12.722 L
SENSIBILIDADE (@ 1W, 1 m)-Free-Air	92,067 dB
RESPOSTA DE FREQUÊNCIA	50 a 3.000 Hz
FREQUÊNCIA DE RESSONÂNCIA	82,629 Hz
ÁREA EFETIVA DO CONE (SD)	0,0510 Sq.m
EXCURSÃO DO CONE SEM DISTORÇÃO (X MAX)	- + 10 mm
DENSIDADE DO FLUXO NO GAP	11.200 GAUSS

Os parâmetros Thiele-Small são obtidos após a aplicação de um sinal senoidal de 50Hz por um período de 30 minutos em uma tensão pré-estabelecida para o amaciamento. É admitida uma tolerância de + -15% nos valores especificados.

PARÂMETROS MECÂNICOS

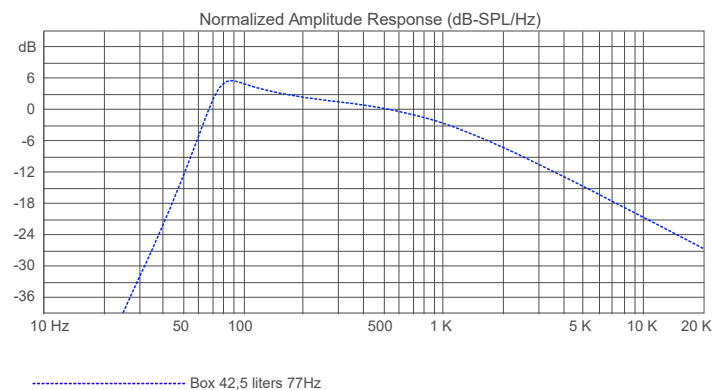
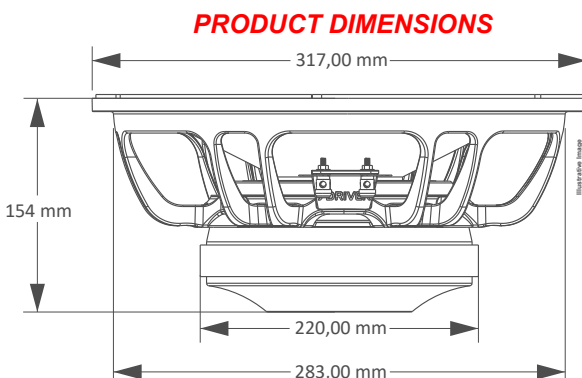
DIÂMETRO NOMINAL	12 Polegadas
DIÂMETRO DO FERRITE	220 x 25 mm
DIÂMETRO DA BOBINA	4 Polegadas
ALTURA DA BOBINA	27 mm
MATERIAL DO FIO DA BOBINA	Cobre
SECÇÃO DO FIO DA BOBINA	CCAW
FORMA DA BOBINA	*Kapton®
ALTURA DO GAP	12 mm
MATERIAL DA CARÇAÇA	Alumínio
MATERIAL DO FERRITE	Bário
PESO	11,4 Kg
VOLUME OCUPADO NO GABINETE	4,5 Litros

*Kapton® Marca registrada pela DUPONT

CABINETS SUGGESTION

MODEL	VOLUME LITERS	CABINET DIMENSIONS		
		Height	Width	DEPTH
VENTED BOX	42,5	430mm	300 mm	330 mm

MODEL	VOLUME LITERS	RECTANGULAR DUCT			SYNTONY	(H.P.F)	ATTENUATION (ACTIVE)
		Height	Width	DEPTH			
VENTED BOX	42,5	110mm	300 mm	269,4 mm	77 Hz	72 Hz	- 24 dB/ Octave



www.taramps.com.br

Rod. Julio Budisk SP 501 s/n, - Compl. KM 30-A /SP ZIP 19.180-000 Phone +55 (18) 3266-4050 CNPJ (National Registry): 23.372.795/0001-64

NOTE: Features, specifications and aesthetics are subject to change without notice.

WARRANTY TERM

When all our products are produced, they undergo rigorous evaluations, in each construction process until they are packaged, however, if any type of abnormality is detected, when opening the package, it must be sent to one of our authorized service stations, or directly to the factory, if there is not an authorized technician in your region. **Each and every product must undergo a technical evaluation so that the defect is identified and proven.**

The product has a warranty of 15 (fifteen) months after the issuance of the invoice, with the legal warranty of 90 days, provided for in article 26, item II, of law No. 8078/90 (Brazilian consumer protection code).

Warranty Conditions:

The product must be installed correctly, by a specialized professional, as well as respecting the product characteristics.

The customer **will NOT** have the warranty when:

- Exceed the period of 15 (fifteen) months.
- Damages incurred are caused by; transport or handling accident, or humidity.
- Defects caused by improper installation.
- Malfunctions in product parts (torn cone/dust cap, bent or broken speaker housing).
- Coils burned out by excessive power or extreme distortion conditions, causing heating above 240°.

Warranty Coverage:

- Taramps guarantees its products against any defect in material or manufacturing process, provided that, at the discretion of its authorized technicians, it is found to be defective under normal conditions of use.
- **The PRODUCT must contain the original label, on which its serial number is inserted.**
- To use the warranty, the customer must present the invoice and the warranty term, both of which must contain the serial number on the product label.

Transport

Only products that fall under the terms of warranty coverage will have their transportation expenses covered, otherwise, the expense will be at the customer's expense.

WARRANTY CERTIFICATE

NAME: _____

ADDRESS: _____

CITY: _____ ZIP: _____

STATE: _____ PHONE: _____

DEALER: _____

ADDRESS: _____

CITY: _____ ZIP: _____

STATE: _____ PHONE: _____

INVOICE NUMBER