



SFD 4300
SEVEN FENOLIC DRIVER



SFD-4300 is a compression driver with phenolic resin membrane that has been carefully developed to be a great ally in the intelligibility of your sound system. Providing clean and very well defined tones from midbass to high midrange, it was strategically built combining design and resistance in its external chamber, with surprising results in any of its applications, supporting high power and displacement, within its mechanical specification. Efficiency, design, robustness and performance are synonymous with this product.

ELECTRIC PARAMETERS

RMS POWER	150 W
MUSIC POWER	300 W
NOMINAL IMPEDANCE	8 Ohms
*AVERAGE SENSITIVITY (@ 1W, 1 m)	112 dB SPL
FLOW DENSITY IN THE GAP	19.200 GAUSS
FREQUENCY RESPONSE (-10dB)	300Hz to 6.000Hz
RECOMMENDED MINIMUM CUT FREQUENCY (24 dB/8° active)	500Hz

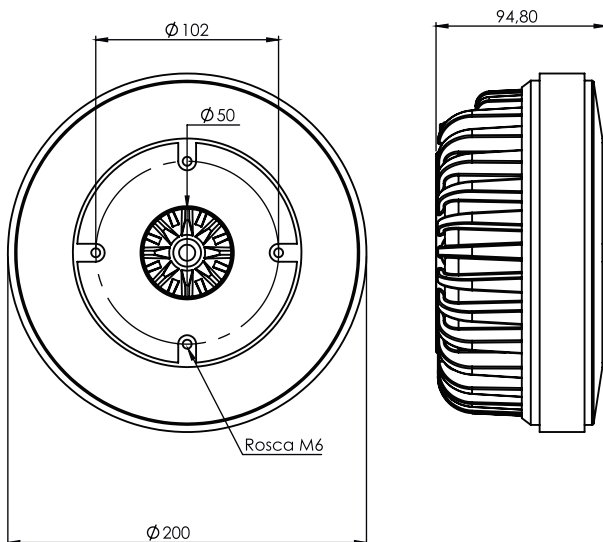
*Sensitivity and response obtained with long oval horn with 30x60 degrees dispersion.
NOTE: To use the recommended minimum frequency, apply a maximum of 100W RMS
To obtain the specified power of 150 W RMS, cuts from 800 Hz to 5,500 Hz were used 24 dB BW Active, in pink noise for two hours without a horn.*

MECHANICAL PARAMETERS

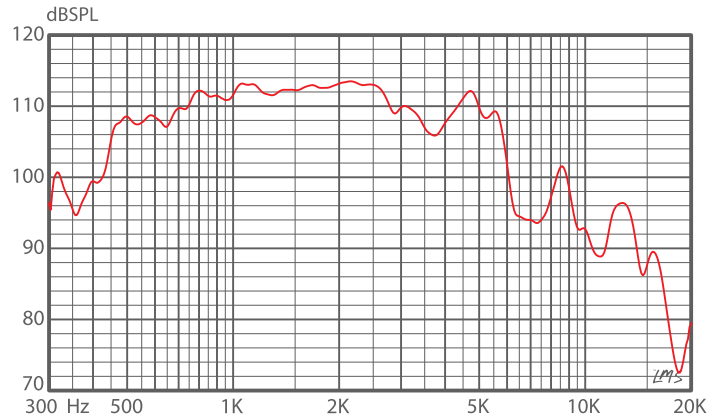
COIL WIRE	ROUND COPPER
COIL SHAPE	* Kapton ®
FERRITE MATERIAL	BARIUM
THROAT DIAMETER	50mm
DIAPHRAGM MATERIAL	PHENOLIC
COIL DIAMETER	100mm
WEIGHT	7,700 Kg

* Kapton ® Registered trademark by DUPONT

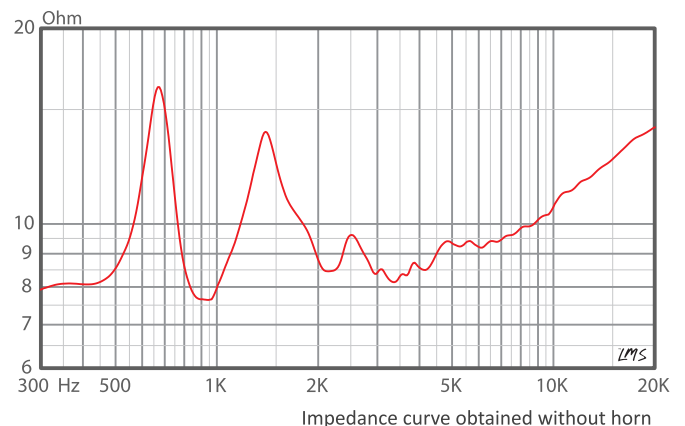
PRODUCT DIMENSIONS



FREQUENCY RESPONSE VS SPL



IMPEDANCE VS FREQUENCY



Impedance curve obtained without horn

Warranty Term

All of our products, when produced, undergo rigorous evaluations, in each construction process until they are packaged, however, if any abnormality is detected when opening the packaging, it must be forwarded to one of our authorized service stations. If there's no one in your region it must be forwarded directly to the factory. **Each and every product must undergo a technical evaluation, in order to identify and prove what happened.**

The products are guaranteed for 1 (one) year after the invoice issuance, with the legal guarantee of 90 days, provided for in art. 26, item II, of law No. 8078/90 (Brazilian consumer protection code).

Warranty Conditions:

The product should be installed properly, by a qualified professional, respecting the product characteristics..

The customer **WILL NOT** have the warranty when:

- Exceed the 1 (one) year term.
- The damage is caused by a transport, handling or humidity accident.
- Damage caused by improper installation.
- Malfunctions in parts of the product (torn cone/hubcap, bent or broken speaker housing).
- Coils burned by excess power or extreme distortion conditions, causing heating above 240°.

Warranty Coverage:

- 7DRIVER guarantees its products against any defect in material or manufacturing process, provided that, at the discretion of its authorized technicians, a defect is found under normal conditions of use.
- **The PRODUCT must contain the original tag, in which its serial number is inserted.**
- To use the warranty, the customer must present the invoice and the warranty term, both must contain the serial number on the product tag..

Transport:

Only products under the warranty coverage will have their transportation expenses covered, otherwise the expense will be paid by the customer.

WARRANTY CERTIFICATE

NAME: _____

ADDRESS: _____

CITY: _____ ZIPCODE: _____

STATE: _____ PHONE: _____

STORE: _____

ADDRESS: _____

CITY: _____ ZIPCODE: _____

STATE: _____ PHONE: _____

INVOICE N°